

Layher Info

Technology
and Products

Allround attachment points for fall arrest

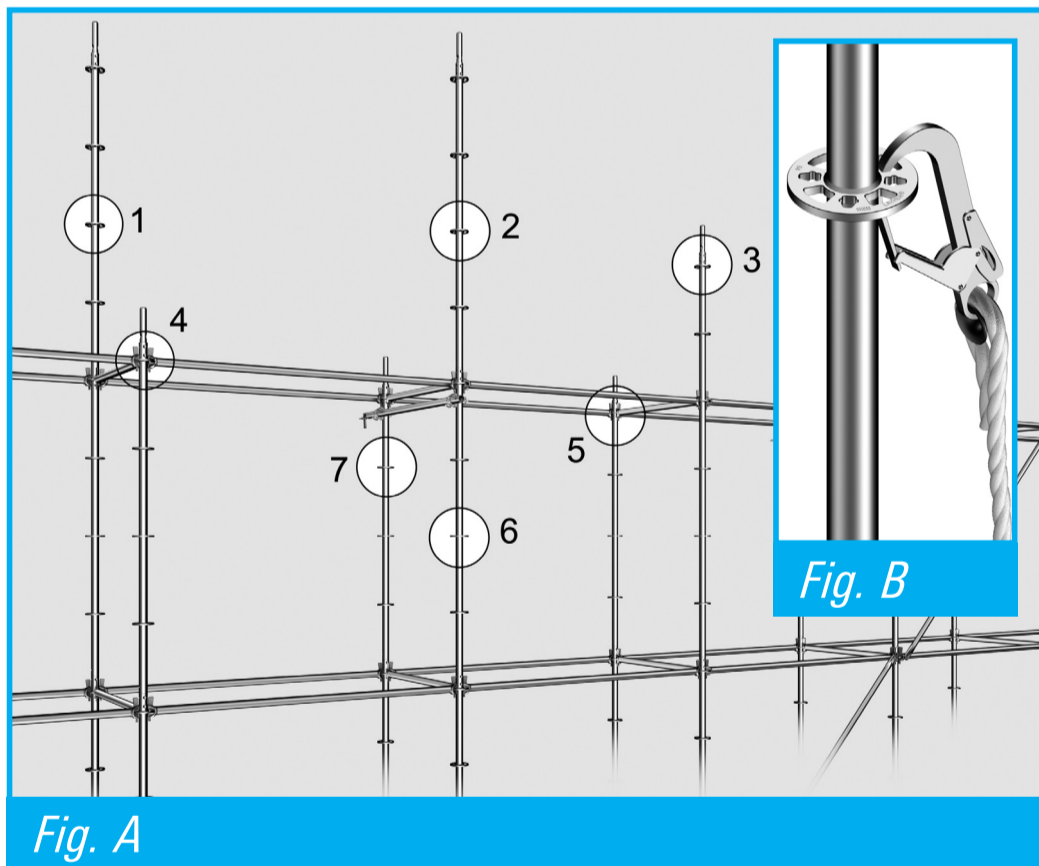
Measures for height safety during erection, modification and dismantling of scaffolds

Working at heights presents a high risk and those exposed to the hazard of falls should perform a risk assessment prior to commencing. Alternative erection methods should be investigated in conjunction with appropriate personal protective equipment. Use of cranes and sequential erection methods should be considered along with the use of advance guardrail and fall restraint systems.

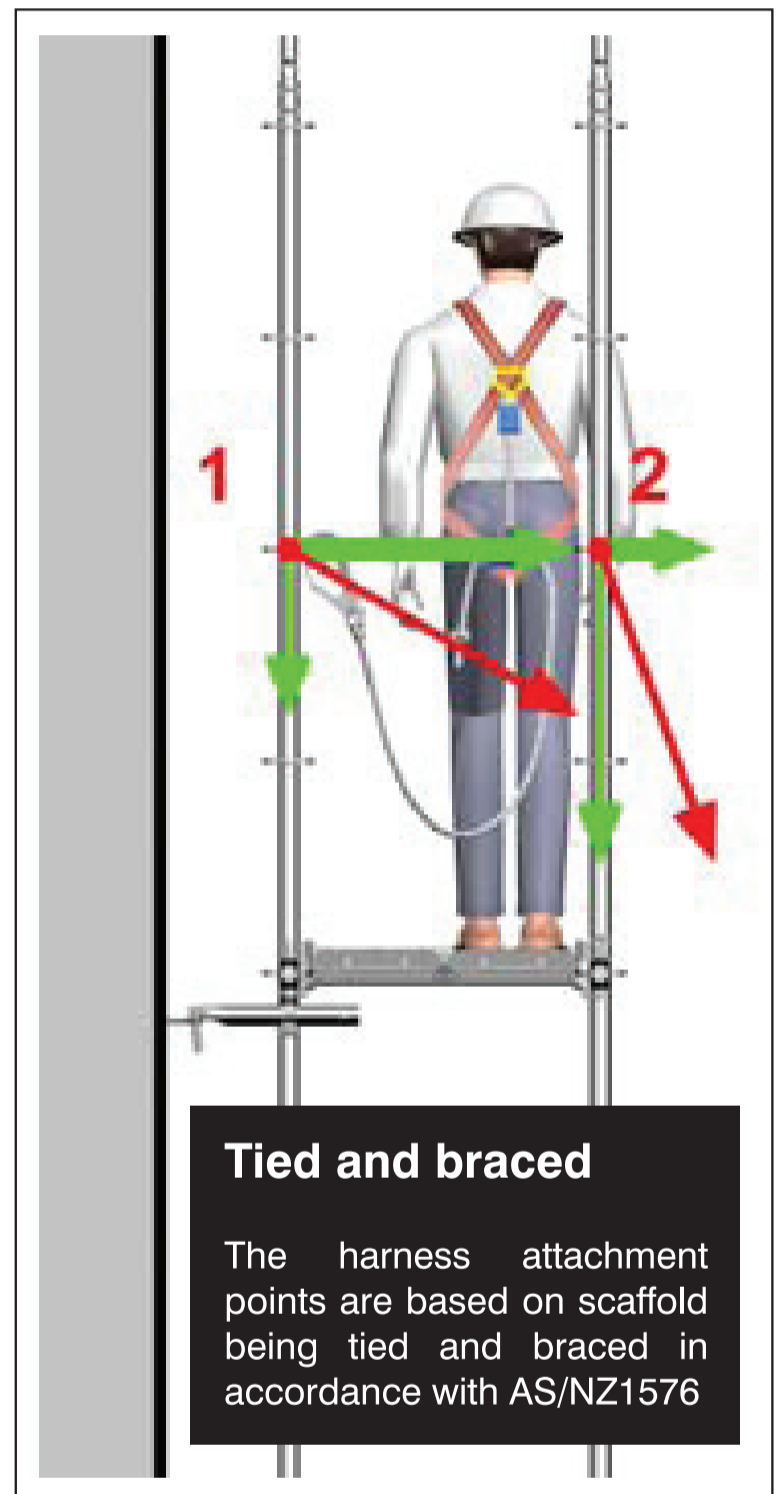
Attachment points for personal fall arrest equipment

Where personal fall arrest equipment is required, Layher has defined attachment points rated as anchorage points according to AS/NZS 1891.4:2009. These attachment points are shown in Figs A and B.

Attachment points max bay length 3.07m



Attention: If the fall arrest equipment is connected to a rosette on the inside of the scaffolding (1), then it should be connected to a continuous standard without joint.



Tied and braced

The harness attachment points are based on scaffold being tied and braced in accordance with AS/NZ1576

1, 2, 3	To a continuous standard (standard going all the way through at the height of the scaffolding level and without joint), maximum 1 m above the scaffolding level - Fig. A
4, 5	To a rosette at the level of the ledgers. The ledgers must be already fitted – Figs. A and B
6, 7	To any rosette inside an assembled and finished scaffolding level – Figs. A and B

Edition 10.11.2011

LAYHER PTY LTD
Ph 1300 136 026
info@layher.com.au
www.layher.com.au
AUSTRALIA

Layher 

More Possibilities. The Scaffolding System.

LAYHER LTD
Ph 0800 529 437
info@layher.co.nz
www.layher.co.nz
NEW ZEALAND